

Performer 3 Stand Trolley

A sturdy and strong storage cart, to make moving and storing Performer 3 Stands simple. The Performer 3 Stand Trolley can hold up to 18 stands, and has been consciously designed to be able to fit through a standard single door.



RATstands
TEMPO RANGE



The Performer 3 Stand Trolley can hold up to 18 music stands, nested in a compact line, to make set ups and take downs simple.

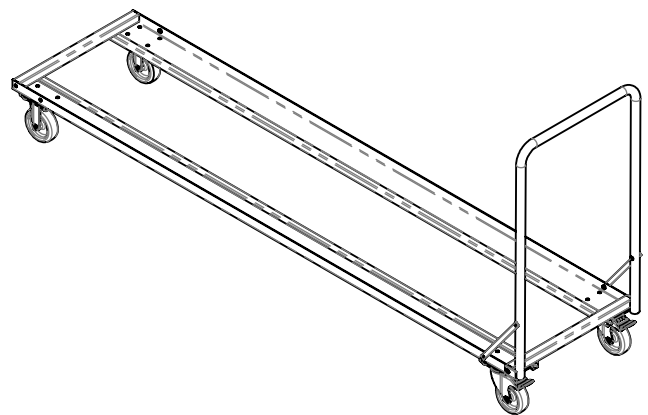
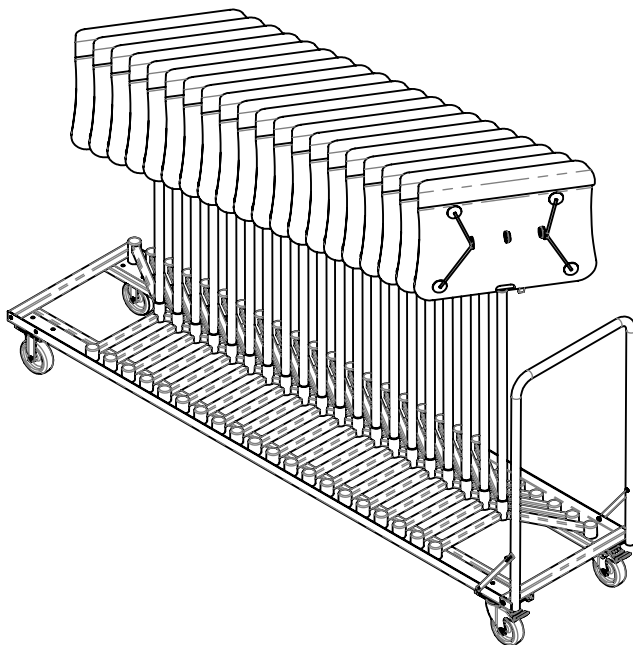
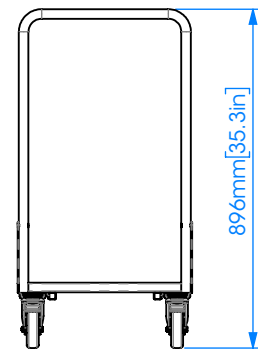
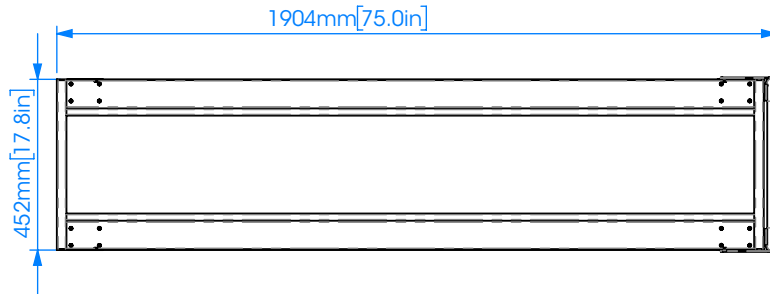


The Performer 3 Stand Trolley has 2 fixed and 2 swivel castors, for maximum manoeuvrability. The castors are lockable for stability.



The Performer 3 Stand Trolley is coated in a tough scratch resistant epoxy, to prevent cosmetic damage. It is sturdy, robust, and easy to use. The trolley is lightweight making it easy to transport, and ideal for a fast and effective performance or rehearsal set up.

Detailed Specification



Detailed Specification

Specifier's description

A long storage cart with a slim frame, specifically for the RATstands Performer 3 Stand, can hold up to 18 stands. A rectangular platform with 2 fixed and 2 swivel castors.

Steel frame and handle, a steel frame coated in polyester powder coat.

Construction	
Structural parts	Steel
Wheels	Grey synthetic tyre
Platform	Steel frame
Coating	Polyester Powder Coat

Dimensions	
Width	452mm [17.8in]
Height	896mm [35.3in]
Length	1904mm [75in]
Maximum stand capacity	20 Stands
Weight	15.3kg [33.7lbs]

General	
Warranty	5 years
Part number	59Q2.